

Q14

2MP Indoor Pinhole Covert with Basic WDR, SLLS, Fixed Lens



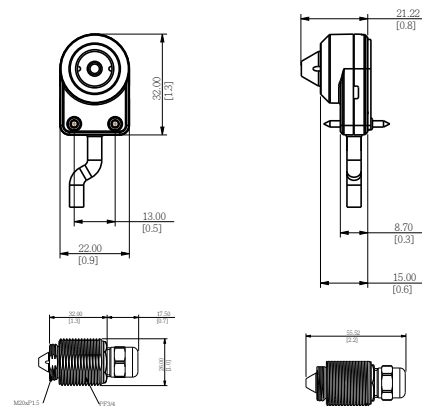
- 2 Megapixel with 1080p
- Superior Low Light Sensitivity
- Fixed Lens with f3.7mm / F2.5
- Basic WDR (75 dB)
- 30 fps at 1920 x 1080
- Wide Angle
- Vibration Proof (EN50155)

PHOTO INDICATION



- ① LED Indicators
- ② Memory Card Slot
- ③ Digital Input / Output
- ④ Camera Input
- ⑤ Audio-In / Audio-Out
- ⑥ Ethernet Port
- ⑦ Serial Port
- ⑧ DC 12V Power Input
- ⑨ Reset Button

DIMENSION DIAGRAM



Unit: mm [inch]

ACCESSORY OPTIONS

| Power Supply | | |
|--------------|--|-------------------------------------------------------------------------------|
| PPOE-0001 | | IEEE 802.3af PoE Injector for Class 1, 2 or 3 devices, with universal adapter |
| PPBX-0002 | | AC 100-240V to DC 12V power adapter with universal connector |

| Popular Mounting Solutions | | |
|----------------------------|--------------|------------------------------|
| Mount Type | Surface | Required Accessory |
| Flush Mount | Ceiling Wall | Bundled Flush Mount |
| Tiltable Flush Mount | Ceiling Wall | Bundled Tiltable Flush Mount |
| Corner Mount | Corner | Bundled Corner Mount |

* For more mounting solutions, please refer to Project Planner on www.acti.com

PRODUCT SPECIFICATION

Q14

• Device

| | |
|--------------------------|------------------------------------------------------------------|
| Device Type | Indoor Pinhole Covert Camera |
| Image Sensor | Progressive Scan CMOS |
| Sensor Size | 1/2.8" |
| Effective Pixels | 1944 (H) x 1224 (V) (2.38 MP) |
| Day / Night | No |
| Low Light Sensitivity | Superior |
| Minimum Illumination | Color: 0.1 lux at F2.5 (30 IRE, 2400°K) |
| Mechanical IR Cut Filter | No |
| IR Sensitivity Range | No |
| Electronic Shutter | 1/5 ~ 1/32,000 sec (manual mode); 1/5 ~ 1/32,000 sec (auto mode) |
| Horizontal Resolution | 1100 TVL |
| S/N Ratio | 52 dB |

• Lens

| | |
|--------------------------|-----------------------------------------|
| Focal Length / Aperture | Fixed focal, f3.7mm / F2.5 |
| Iris | Fixed iris |
| Focus | Fixed focus |
| Cable Type | RJ12 connector up to 12m from main unit |
| Horizontal Viewing Angle | 84.5° |

• Video

| | |
|--------------------------------|----------------------------------------------------------------------------------------------------------------------------------------------------------------|
| Compression | H.264 (Baseline / Main / High profile), MJPEG |
| Max. Frame Rate vs. Resolution | 30 fps at 1920 x 1080; 30 fps at 1280 x 720; 30 fps at 800 x 600; 30 fps at 640 x 480; 15 fps at 320 x 240 |
| Multi-Streaming | Simultaneous dual streams based on two configurations |
| Bit Rate | 28 Kbps - 6 Mbps (per stream) |
| Bit Rate Mode | Constant, Variable |
| Image Enhancement | Basic WDR (75 dB); White balance: automatic, hold, and manual; Brightness; Contrast; Sharpness (auto); Auto gain control; digital noise reduction; Flickerless |
| Privacy Mask | 4 configurable regions |
| Text Overlay | User defined text on video |
| Image Orientation | Image flip and mirror |

• Audio

| | |
|-------------|------------------------------------------|
| Compression | 8 kHz, Mono, PCM, 16 bit encoding; G.711 |
| Audio-In | Mic-in and line-in, Terminal block |
| Audio-Out | Line-out, Terminal block |

• Network

| | |
|--------------------|----------------------------------------------------------------------------------------------------------------------------|
| Protocol & Service | TCP, UDP, HTTP, HTTPS, DHCP, PPPoE, RTP, RTSP, IPv4, IPv6, DNS, DDNS, NTP, ICMP, ARP, IGMP, SMTP, FTP, UPnP, SNMP, Bonjour |
| Ethernet Port | 1, Ethernet (10/100 Base-T), RJ-45 connector |
| Security | IP address filtering; HTTPS encryption; Password protected user levels; Anonymous login; IEEE802.1X network access control |

• Alarm

| | |
|----------------|-------------------------------------------------------------------------------------------------------------------------------------------------------------------------------------------------------------------------------------|
| Alarm Trigger | Video motion detection (3 regions); External device through digital input; Sound detection |
| Alarm Response | Notify control center; Change camera settings; Command other devices; E-mail notification with snapshots; Save video or snapshot to local storage; Upload video or snapshot to FTP; Activate external device through digital output |

• Interface

| | |
|----------------|----------------------------------------------------------|
| Digital Input | 1, Terminal block |
| Digital Output | 1, Terminal block |
| Serial Port | 1, RS-232 |
| Local Storage | MicroSDHC/MicroSDXC memory card slot (card not included) |

• General

| | |
|----------------------------|----------------------------------------------------------------------------------------------------------------------------|
| Power Source / Consumption | PoE Class 2 (IEEE802.3af) / 4.32 W DC 12V (adapter not included) / 3.6 W |
| Weight | 0.582 kg (1.283 lb) |
| Dimensions (L x W x H) | 100.33mm x 75mm x 25.5mm (3.95" x 2.95" x 1") |
| Environmental Casing | Vibration proof (EN50155) |
| Mount Type | Flush, Tilttable Flush Mount, Corner Mount |
| Bundled Accessories | Flush mount |
| Starting Temperature | -20°C ~ 50°C (-4°F ~ 122°F) |
| Operating Temperature | -30°C ~ 60°C (-22°F ~ 140°F) |
| Operating Humidity | 10% ~ 85% RH |
| Approvals | CE (EN 55022 Class B, EN 55024), FCC (Part15 Subpart B Class B), EN50155, UL (for optional PoE injector and power adapter) |

• Integration

| | |
|-------------------------|-----------------------------------------------------------------------------------------------------------------------------------------------------------------|
| Unified Solution | Fully compatible with ACTi software |
| ISV Integration | Software Development Kit (SDK) available; ONVIF compliant |
| Firmware Access Browser | Microsoft Internet Explorer 8.0 or newer (full functionality) Safari with QuickTime installed, and other browsers with VLC installed (partial functionality) |
| Auto Firmware Upgrade | Yes |
| GPS Position | Manual Setting |

* All specifications are subject to change without notice.

* All brand names and registered trademarks are the property of their respective owners.

www.acti.com

